

## Technical Data



PVI3200TL  
PVI4000TL  
PVI4600TL  
PVI5400TL

### Features:

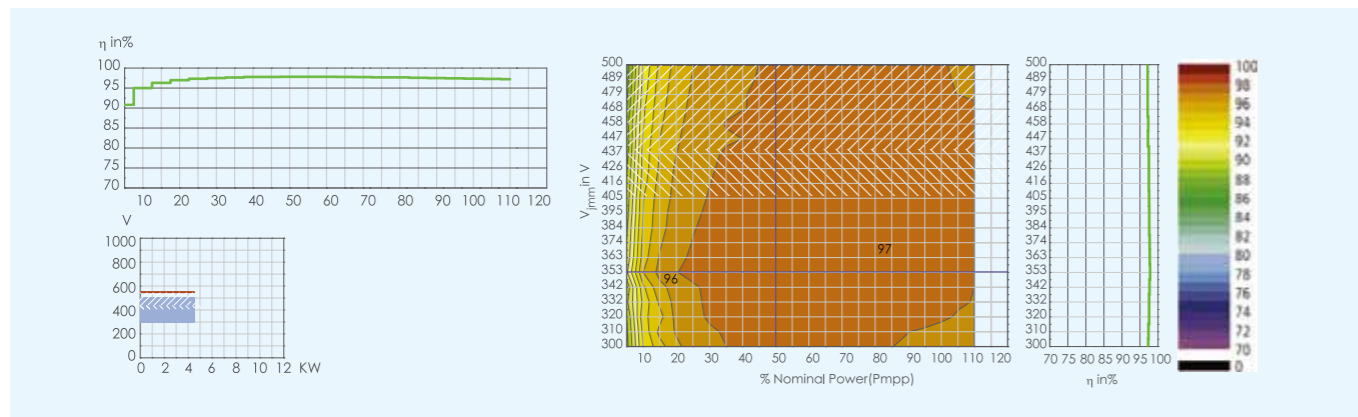
- > Max efficiency 97.8%
- > High efficiency across wide operation range
- > Wide range of input DC and MPPT voltage
- > Low turn-off DC voltage
- > IP65 protection against water and dust
- > Dual independent MPPT input
- > DC switch option



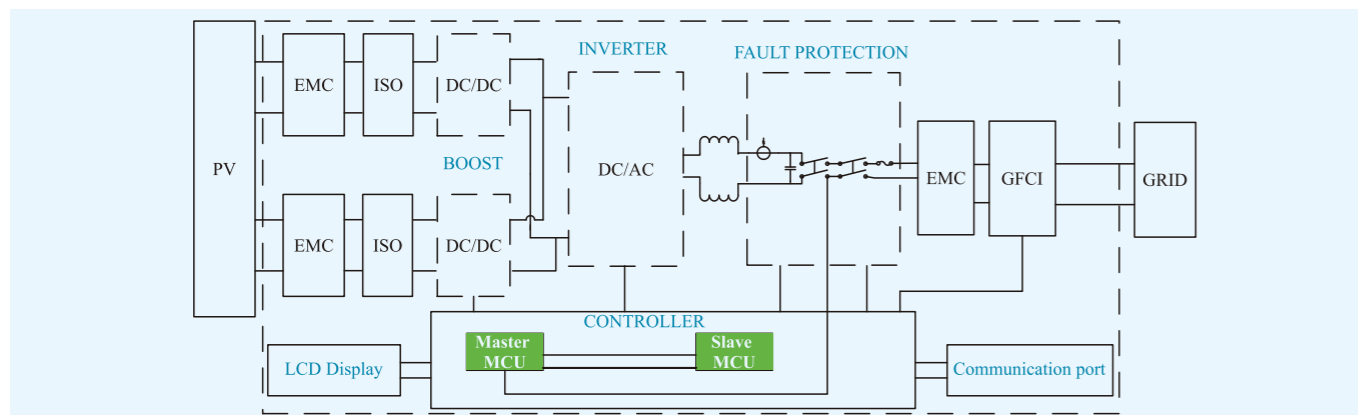
### Certificates and Approvals:

CE, VDE AR-N-4105, VDE 0126-1-1+A1, G83/2, G59/2, G59/3, AS4777, ENEL, RD1663, IEC61727, UTE C15-712, MEA, PEA, CQC, NB/T32004-2013, ROHS, REACH

### Efficiency Curve From Photon Lab (PVI4600TL):



### Circuit Diagram:



## PVI Series

PVI3200TL / PVI4000TL / PVI4600TL / PVI5400TL

Model	PVI3200TL	PVI4000TL	PVI4600TL	PVI5400TL
Rated AC power	2800 W	3650 W	4000 W	4600 W
Maximum AC power	3080 VA	3650 VA	4400 VA	5000 VA
<b>Input</b>				
Maximum input power	3200 W	4000 W	4600 W	5400 W
Maximum input voltage	600 Vdc	600 Vdc	600 Vdc	600 Vdc
MPPT operating range	90 - 530 Vdc	90 - 530 Vdc	90 - 530 Vdc	90 - 530 Vdc
Maximum input current	12 Adc / 12 Adc	12 Adc / 12 Adc	12 Adc / 12 Adc	12 Adc / 12 Adc
Startup voltage	90 Vdc	90 Vdc	90 Vdc	90 Vdc
DC switch	optional	optional	optional	optional
Initial feeding voltage	110 Vdc	110 Vdc	110 Vdc	110 Vdc
Number of inputs	2	2	2	2
MPPT number	2	2	2	2
<b>Output</b>				
Grid voltage	230 Vac	230 Vac	230 Vac	230 Vac
Grid phase	single phase	single phase	single phase	single phase
Grid voltage range	180 - 270 V (May vary as per corresponding country's grid standard)			
Frequency range	50 Hz, 60Hz / -5 Hz ... +5 Hz			
Power factor	Rated >0,99 0,8 leading...0,8 lagging controllable			
Maximum current	15,7 Aac	15,9 Aac	22,5 Aac	26 Aac
DC current injection (max.)	<20 mA	<20 mA	<20 mA	<20 mA
Current Harmonic Distorsion (THDi)	<1%	<1%	<1%	<1%
<b>System</b>				
Maximum efficiency	>97,8%	>97,8%	>97,8%	>97,8%
European efficiency	>97,3%	>97,3%	>97,3%	>97,3%
MPPT efficiency	>99,5%	>99,5%	>99,5%	>99,5%
Topology	Transformerless	Transformerless	Transformerless	Transformerless
Anti-Islanding protection	Yes	Yes	Yes	Yes
Night power consumption	<0,2 W	<0,2 W	<0,2 W	<0,2 W
Detecting earth leakage	Yes	Yes	Yes	Yes
Cooling	Convection	Convection	Convection	Convection
<b>Mechanical Spec.</b>				
Dimensions in mm	500 x 360 x 150			
Weight	21 Kg	21 Kg	21 Kg	21 Kg
IP degree	IP65			
Display	LCD 2 x 16 characters			
Function key	1			
Data interface	RS232 / RS485 / Ethernet / WiFi / GPRS / USB			
Thermal protection	Yes			
Audible noise level	<40 dB			
Ambient operating temp.	-25 °C - +60 °C (>45 °C derating)			